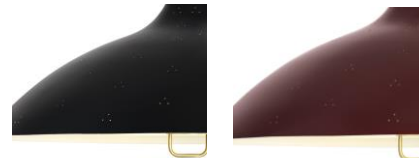


Designed by Paavo Tynell

PRODUCT



COLOURS



// Soft Black

// Chianti Red



// Classic White

// Brass



// Bistro Green

DESCRIPTION

The 1965 Pendant was originally designed by Paavo Tynell in 1948. Like many of his best-known designs, the pendant was designed for the Finland House in New York - one of the most ambitious and successful projects of all time to showcase Finnish design. Perfecting the techniques of metal finishes, Tynell developed the 1965 Pendant with his exceptional ability to capture and translate a grace and exuberant lightness into his brass creations. Characterized by its triangular perforation pattern, an artistic detail utilised by Tynell in several of his lighting objects, the 1965 Pendant reflects the distinguished craftsmanship of the Finnish designer. With a frosted glass diffuser that softens the light, the pendant contributes to a subtle and tranquil environment.

VERSION - 1965 Pendant

Canopy and small parts // Polished Brass.

Fabric wire // Brass.

Wire // Steel.

Diffuser // Transparent glass, frosted on one side.

Shade variations // Brass, Black, White, Red, or Green.

- Brass / White inside // Polished Brass / RAL 9002 // Shiny / Gloss level 10-15
- Soft Black / White inside // RAL 9011 / RAL 9002 // Gloss level 15-20 / Gloss level 10-15
- Classic White / White inside // RAL 9002 / RAL 9002 // Gloss level 15-20 / Gloss level 10-15
- Chianti Red / White inside // RAL 3004 / RAL 9002 // Gloss level 15-20 / Gloss level 10-15
- Bistro Green / White inside // RAL 6012 / RAL 9002 // Gloss level 15-20 / Gloss level 10-15

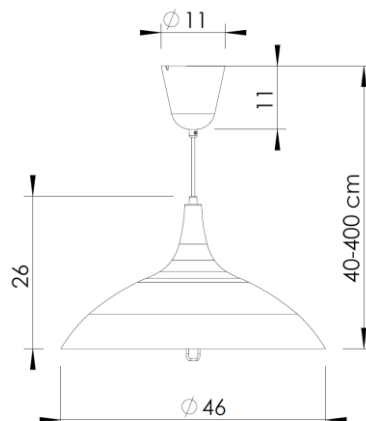
Due to natural materials surface and structure can vary.

MEASUREMENTS

Order item - look for part number in the pricelist.

Series contains the following:

- A1965 Pendant**
- 5321 Table Lamp**
- 9464 Wall Lamp**
- 9602 Floor Lamp**



FACTS

MEASUREMENT LAMP- L X W X H MM

Height: 26 cm

Shade: Ø46 cm

Cord - exposed out of lamp: App. 380 cm

WEIGHT ITEM - LAMP INCL. WIRE

3,3 kg

PACKAGING TYPE

Cardboard box

PACKAGING MEASUREMENT - L X W X H CM

L:53 X W:53 X H:35 cm

WEIGHT PACKAGING TOTAL

1,8 kg

WEIGHT LAMP + PACKAGING - TOTAL

5,1 kg

NUMBER OF PARCELS

1 pcs.

ACCESSORIES

-

ENVIRONMENT

-

TESTS

-

CERTIFICATION AND LABELS

CE-certified

SAFETY INSTRUCTIONS

If the cord or other electrical part is damaged, switch of the lamp and do not use it until it is repaired by a qualified electrician.

INSTALLATION INSTRUCTIONS

Instructions document no.: 64-20-002-XX

CARE INSTRUCTIONS

Wipe the parts with a damp cloth soaked in warm water and a bit of mild detergent. Use only soft cloths for wiping and polishing. Never use sprays or other acids. Do not use abrasive household cleaners. Do not use acids or abrasive cleaning materials, glass cleaners or household ammonia.

TROUBLESHOOTING

If lamp does not light, turn off the power. Check the bulb for a broken filament. Replace bulb if necessary, then turn it on. If the lamp still does not light, please contact customer service at the local dealer. If the remote remote code or cord of the lamp is damaged, it must be replaced by a qualified electrician in order to avoid a hazard.

TECHNICAL INFORMATION

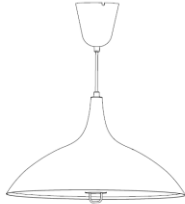
Light source: E27 max. 3x E27 halogen bulb (max. 60W, 6000 Lumen). Best result is achieved with frosted light bulbs with a CRI above 90. Turn power off when changing light bulb. Maximum use: The lamp is not approved for outdoor use or use in damp/wet rooms (D50).

For enquiries contact GUBI A/S - C/VR 1790334
 Ekshovvej 7-8, 2120 Høvdovre, Copenhagen, Denmark
 T +45 49 15 40 40 - sal@subergubiblu.dk
 GUBI.COM

64-20-002-02 Assembly instructions Typel Pendent 1965 EU

GUBI

ASSEMBLY INSTRUCTIONS
for
1965 PENDANT



LIGHT SOURCE:

- Socket: 3xE27 base
- Bulb types recommended:



- Recommended light sources:

If LED is chosen, only dimmable versions work.

810 Lumen (~ 60W incandescent
~ 40-60W halogen - 6-10W LED)

- Max. light out put for above lamps:

810 Lumen (~ 60W incandescent ~ 40-60W halogen)
By LED 1530 Lumen (~ 13-16W)

- Best result is achieved with frosted light bulbs
with a CRI (Colour Rendering Index) larger than 90.

- Lightbulb not included.

- All lamps can be fitted with a dimmer - Please contact your local electrician.
- If dimming wanted use dimmable light bulbs only.
- Can be connected to a dimming system if proper receivers are installed in front of the lamp.

*Euro voltage: 230 V

*Frequency: 50 Hz

*Supply voltage: AC power ~

*Normally Closed: IP20



Class II / Double insulated



CE-Mark



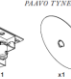



Luminaires accepted for mounting on a flammable base

GUBI

ASSEMBLY INSTRUCTIONS
PÄNÖ TYSSLÄ PENDING 1965

CONTENTS:

1. Attach ceiling bracket to the bulb in model or directly on the ceiling with proper screws.
2. Pull cable through the canopy.
3. Pull the cable through the cable clamp in the ceiling bracket.
4. When the right height for the pendant has been found lock the side screw on the cable clamp (B). Be aware outside the canopy connect directly in the wall (A).
5. Cut the power cable off and connect to terminal connector (D) and extend cable from inside to the other side of the terminal connector. Do not forget to ensure the main cable in the cable clamp (B). If ceiling bracket is mounted on a bulb, pull out lamp cable off and connect to terminal connector (D). Connect main cable to the other side of the terminal connector (E).
6. Slide the canopy up the cable and push it against the ceiling while securing it with the side screw (A).
7. Insert light bulb in the lamp.
8. Lift out the glass disc and place it with two tabs in center of the lamp. A slot will appear and the glass is in place. DO NOT tighten too much since this will break the glass disc.
9. Turn the center handle to secure the glass disc to the lamp.

