

n

a



kubrick

by
jack flanagan

naudesign.com.au
info@naudesign.com.au
@nau_design

nau is a contemporary design brand, offering furniture, lighting, and accessories by a collective of Australia's most curious and talented designers.

u

kubrick

by Jack Flanagan, 2017

Named after the simple yet clever aesthetic of iconic cinematographer Stanley Kubrick, the Kubrick stool is an exploration of the 3D form through the manipulation of 2D material. With the first two stools ever made being Christmas gifts for Jack Flanagan's own family, the stool design has since been refined and is now available in three heights and colours, along with coffee table and side table options.



variations & dimensions

Kubrick Stool

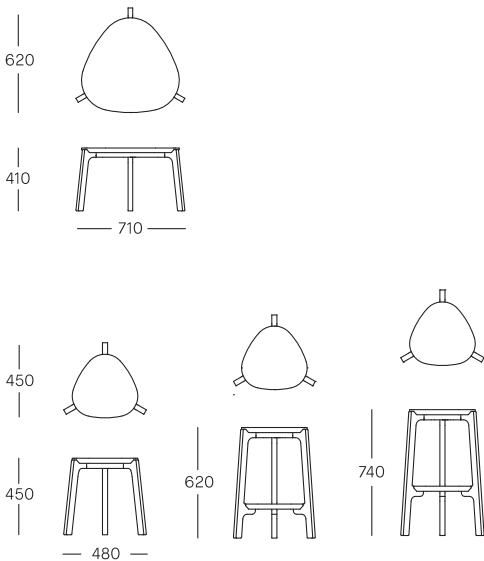
Finishes: Black Stained, Grey Stained or Natural Birch Plywood

Dimensions: 450W x 480D x 450H / 650H / 740H mm

Kubrick Coffee Table

Finishes: Black Stained, Grey Stained or Natural Birch Plywood

Dimensions: 710W x 620D x 410H mm



jack flanagan

Hailing from Western Australia, Jack Flanagan is an industrial designer inspired by the junction where engineering and art meet. His design objective is to create objects that will last the test of time, both physically and aesthetically.

Working out of a small workshop in Perth, Flanagan's designs are beautifully crafted by hand. He enjoys the manufacturing process; testing new methods and equipment to create unique objects that push the boundaries and apply familiar approaches in unfamiliar ways.

Naming John Lautner as one of his design inspirations, Flanagan's work is thoughtful, resolved and timeless.

n
a
u

naudesign.com.au
info@naudesign.com.au
@nau_design