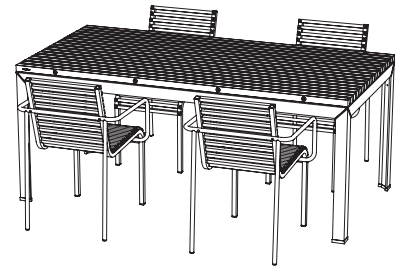


Extempore

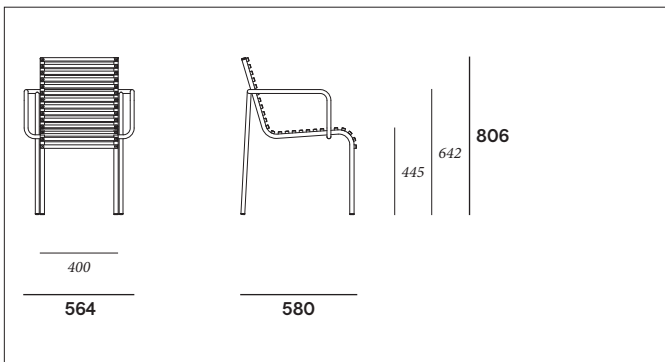
© design by Arnold Merckx

Chairs
Tables
Benches
Specials

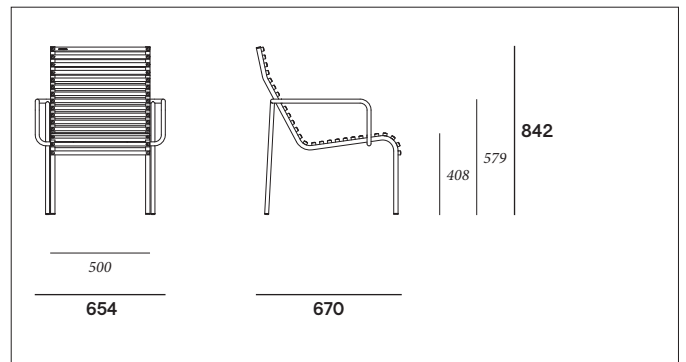
Floor fastening
Cushions



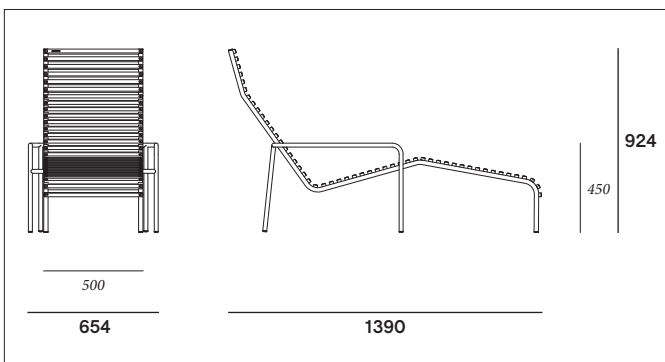
Chair



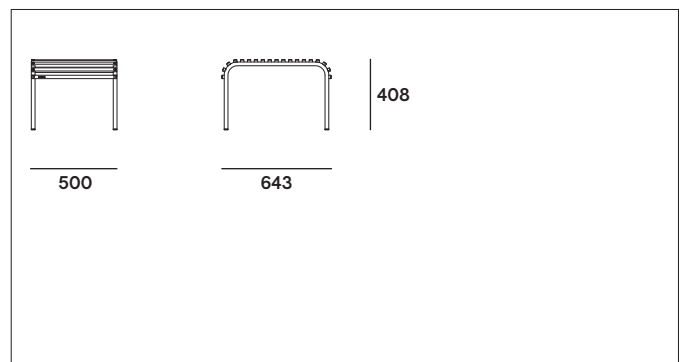
Low chair high back



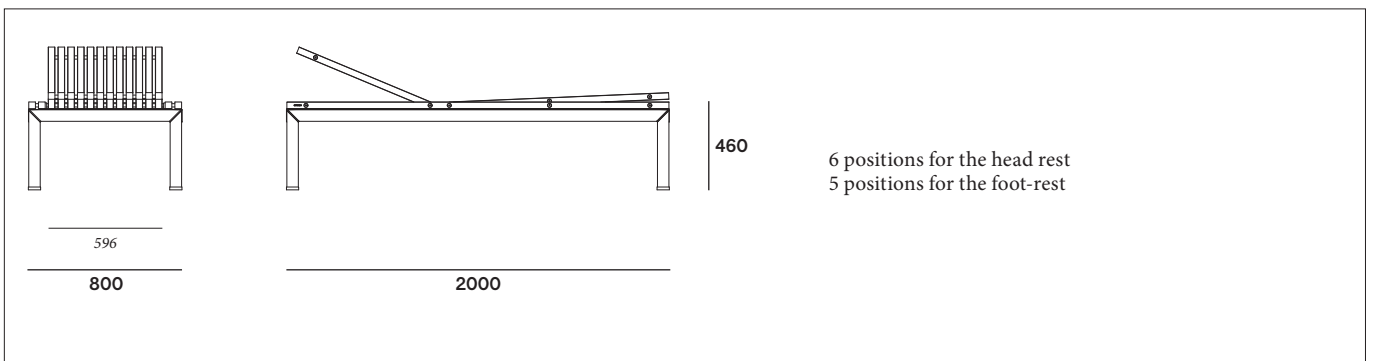
Lounge chair



Footrest



Sunbed



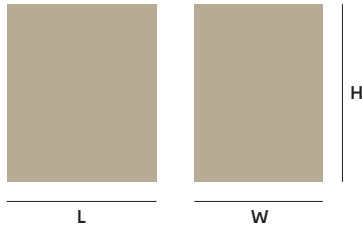
extremis®

The content of this document, in particular the mentioned models, is protected by copyrights and/or design rights. The present document and its content is communicated to you for information purposes only. Any partial or total reproduction or any other use without our prior written permission is strictly prohibited. This technical sheet remains subject to possible changes. **All dimensions are in mm**, unless mentioned otherwise. Extremis is not responsible for the errors in the documentation of products. All measurements are approximate and are provided for informational purposes only.

Tech sheet
20170823

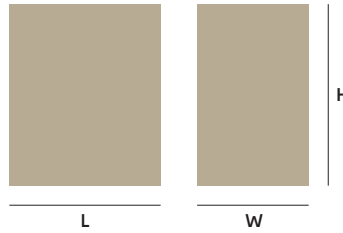
BOX 1: CHAIR

Maximum 4 chairs per box
Gross weight (kg): 24,71 | Net weight (kg): 19,56

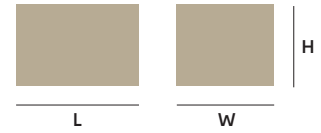


BOX 2: LOW CHAIR HIGH BACK

Maximum 2 low chairs high back per box
Gross weight (kg): 16,95 kg | Net weight (kg): 11,16



BOX 3: FOOTREST



BOX 4: LOUNGE CHAIR

Maximum 2 lounge chairs per box: Gross weight (kg): 23,84 kg | Net weight (kg): 13,84

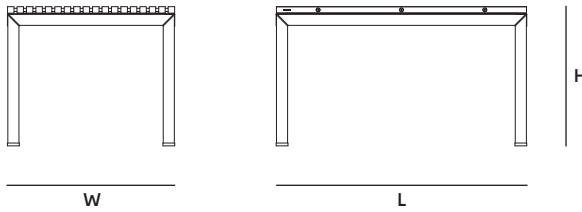


BOX 5: SUNBED



Box dimensions (mm)		L	W	H	Qty (#)	Volume (m³)	Gross weight (kg)	Net weight (kg)	Packaging weight (kg)
Chair	Box 1	793	680	940	1	0,51	10,04	4,89	5,15
Low chair high back	Box 2	800	590	960	1	0,45	11,37	5,58	5,79
Footrest	Box 3	650	515	430	1	0,14	7,12	4,62	2,50
Lounge chair	Box 4	1645	665	1000	1	1,09	16,92	6,92	10,00
Sunbed	Box 5	2020	840	150	1	0,25	93,78	89,25	4,53

Standard table



Dimensions (mm)	L	W	H
Standard table 135	1350	900	750
Standard table 160	1600	900	750
Standard table 180	1800	900	750
Standard table 200	2000	900	750
Standard table 225	2250	900	750
Standard table 270	2700	900	750

BOX 6: TABLETOP + LEGS

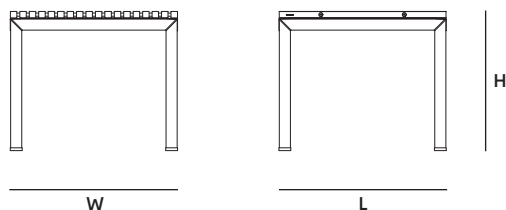


Box dimensions (mm)		L	W	H	Qty (#)	Volume (m³)	Gross weight (kg)	Net weight (kg)	Packaging weight (kg)
Standard table 135	Box 6	1380	940	135	1	0,18	61,04	56,00	5,04
Standard table 160	Box 6	1630	940	135	1	0,21	69,73	64,03	5,70
Standard table 180	Box 6	1830	940	135	1	0,23	75,64	69,94	5,70
Standard table 200	Box 6	2030	940	135	1	0,26	83,95	76,86	7,09
Standard table 225	Box 6	2280	940	135	1	0,29	94,41	87,32	7,09
Standard table 270	Box 6	2730	940	135	1	0,35	105,51	98,42	7,09

The tables below have the same length and width as the standard tables but have a different height:

- Medium table: **H** 690 mm **Weight** = Net weight of Standard table - 0,34 kg
- Low table: **H** 450 mm **Weight** = Net weight of Standard table - 1,70 kg
- Extra low table: **H** 230 mm **Weight** = Net weight of Standard table - 2,95 kg

Standard square table



Dimensions (mm)	L	W	H
Standard square table 75	750	750	750
Standard square table 80	800	800	750
Standard square table 90	900	900	750
Standard square table 135	1350	1350	750
Standard square table 160	1600	1600	750

BOX 7: TABLETOP + LEGS

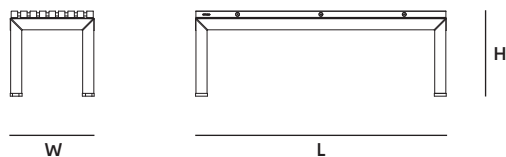


Box dimensions (mm)		L	W	H	Qty (#)	Volume (m ³)	Gross weight (kg)	Net weight (kg)	Packaging weight (kg)
Standard square table 75	Box 7	780	780	135	1	0,08	49,63	45,50	4,13
Standard square table 80	Box 7	830	830	135	1	0,09	50,85	46,52	4,33
Standard square table 90	Box 7	930	930	135	1	0,12	52,06	47,53	4,53
Standard square table 135	Box 7	1380	1380	135	1	0,26	85,99	81,03	4,96
Standard square table 160	Box 7	1630	1630	135	1	0,36	122,24	115,04	7,20

The tables below have the same length and width as the standard square tables but have a different height:

- Medium square table: H 690 mm **Weight** = Net weight of Standard table - 0,34 kg
- Low square table: H 450 mm **Weight** = Net weight of Standard table - 1,70 kg
- Extra low square table: H 230 mm **Weight** = Net weight of Standard table - 2,95 kg

Bench



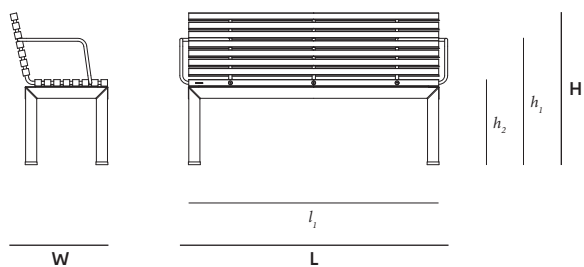
Dimensions (mm)	L	W	H
Bench 45	450	450	450
Bench 90	900	450	450
Bench 135	1350	450	450
Bench 180	1800	450	450
Bench 225	2250	450	450
Bench 270	2700	450	450

BOX 10: BENCHTOP + LEGS



Box dimensions (mm)		L	W	H	Qty (#)	Volume (m ³)	Gross weight (kg)	Net weight (kg)	Packaging weight (kg)
Bench 45	Box 10	480	480	135	1	0,03	20,51	19,37	1,14
Bench 90	Box 10	930	480	135	1	0,06	25,78	24,64	1,14
Bench 135	Box 10	1380	480	135	1	0,09	37,54	35,99	1,55
Bench 180	Box 10	1830	480	135	1	0,12	46,08	44,15	1,93
Bench 225	Box 10	2280	480	135	1	0,15	58,11	55,36	2,75
Bench 270	Box 10	2730	480	135	1	0,18	66,36	63,61	2,75

Bench with back- & armrest



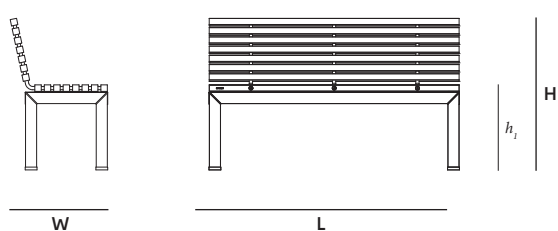
Dimensions (mm)	L	W	H	h_1	h_2	h_2
Bench with back- & armrest 90	1100	527	810	1000	680	450
Bench with back- & armrest 135	1550	527	810	1450	680	450
Bench with back- & armrest 180	2000	527	810	1900	680	450
Bench with back- & armrest 225	2450	527	810	2350	680	450
Bench with back- & armrest 270	2900	527	810	2800	680	450

BOX 8: BENCH WITH BACK- & ARMREST



Box dimensions (mm)	L	W	H	Qty (#)	Volume (m ³)	Gross weight (kg)	Net weight (kg)	Packaging weight (kg)	
Bench with back- & armrest 90	Box 8	1300	550	495	1	0,35	41,86	40,16	1,70
Bench with back- & armrest 135	Box 8	1750	550	495	1	0,48	52,79	51,09	1,70
Bench with back- & armrest 180	Box 8	2200	550	495	1	0,60	60,38	63,44	3,06
Bench with back- & armrest 225	Box 8	2650	550	495	1	0,72	84,63	80,18	4,45
Bench with back- & armrest 270	Box 8	3100	550	495	1	0,84	95,91	91,46	4,45

Bench with backrest



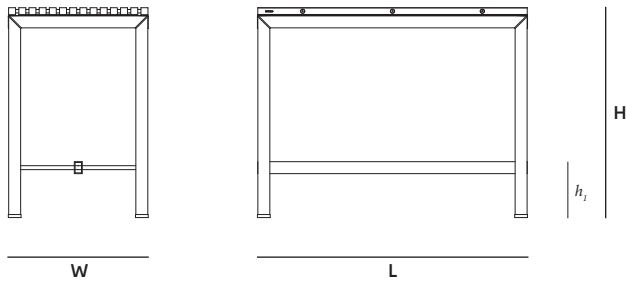
Dimensions (mm)	L	W	H	h_1
Bench with backrest 90	900	527	810	450
Bench with backrest 135	1350	527	810	450
Bench with backrest 180	1800	527	810	450
Bench with backrest 225	2250	527	810	450
Bench with backrest 270	2700	527	810	450

BOX 9: BENCH WITH BACKREST



Box dimensions (mm)	L	W	H	Qty (#)	Volume (m ³)	Gross weight (kg)	Net weight (kg)	Packaging weight (kg)	
Bench with backrest 90	Box 9	1100	550	495	1	0,30	37,77	36,07	1,70
Bench with backrest 135	Box 9	1550	550	495	1	0,42	50,72	49,02	1,70
Bench with backrest 180	Box 9	2000	550	495	1	0,54	64,43	61,37	3,06
Bench with backrest 225	Box 9	2450	550	495	1	0,67	81,51	77,06	4,45
Bench with backrest 270	Box 9	2900	550	495	1	0,79	94,88	90,53	4,45

Table extra high



Dimensions (mm)	L	W	H	h_1
Table extra high 135	1350	700	1050	270
Table extra high 270	2700	700	1050	270

BOX 11: TABLETOP

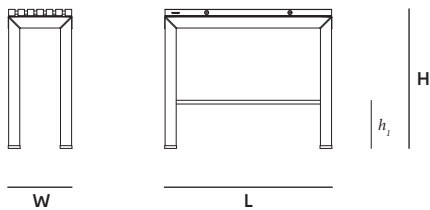


BOX 12: FOOTREST



Box dimensions (mm)		L	W	H	Qty (#)	Volume (m ³)	Gross weight (kg)	Net weight (kg)	Packaging weight (kg)
Table extra high 135	Box 11	1380	740	135	1	0,14	58,18	55,70	2,48
	Box 12	1380	70	50	1	0,01	8,68	6,20	2,48
					total:	0,15	68,86	63,90	4,96
Table extra high 270	Box 11	2730	740	135	1	0,27	96,09	91,56	4,53
	Box 12	2730	70	50	1	0,01	13,04	8,94	4,10
					total:	0,28	109,13	100,50	8,63

Bench extra high



Dimensions (mm)	L	W	H	h_1
Bench extra high	900	340	750	270

BOX 13: TABLETOP

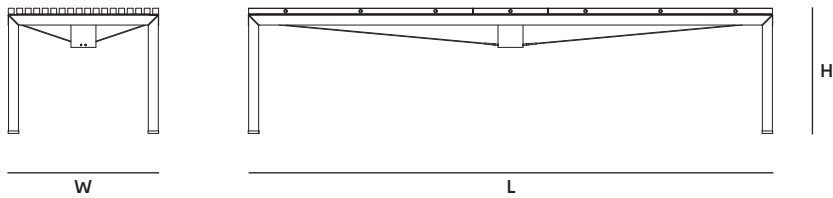


BOX 14: FOOTREST



Box dimensions (mm)		L	W	H	Qty (#)	Volume (m ³)	Gross weight (kg)	Net weight (kg)	Packaging weight (kg)
Bench extra high	Box 13	930	370	135	1	0,05	31,98	27,45	4,53
	Box 14	930	70	50	1	0,01	2,83	0,78	2,05
					total:	0,06	34,81	28,23	6,58

Patchwork



Dimensions (mm)	L	W	H
Patchwork 315	3150	900	750
Patchwork 360	3600	900	750
Patchwork 405	4050	900	750
Patchwork 450	4500	900	750

BOX 15: TABLETOP

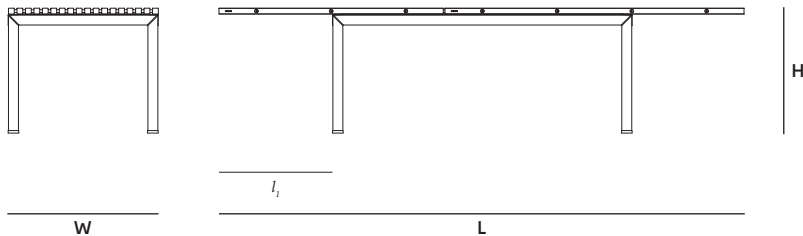


BOX 16: TUBE & CABLES



Box dimensions (mm)		L	W	H	Qty (#)	Volume (m ³)	Gross weight (kg)	Net weight (kg)	Packaging weight (kg)
Patchwork 3150	Box 15	3180	940	135	1	0,40	133,58	125,16	8,42
	Box 16	315	230	285	1	0,02	2,13	1,63	0,50
	total:					0,42	135,71	126,79	8,92
Patchwork 3600	Box 15	3630	940	135	1	0,46	142,71	132,96	9,75
	Box 16	315	230	285	1	0,02	2,13	1,63	0,50
	total:					0,48	144,84	134,59	10,25
Patchwork 4050	Box 15	4080	940	135	1	0,52	165,78	154,69	11,09
	Box 16	315	230	285	1	0,02	2,13	1,63	0,50
	total:					0,54	167,91	156,32	11,59
Patchwork 4500	Box 15	4530	940	135	1	0,57	182,41	169,99	12,42
	Box 16	315	230	285	1	0,02	2,13	1,63	0,50
	total:					0,59	184,54	171,62	12,92

Table with extended tabletop



Dimensions (mm)	L	W	H	l_i
Extended tabletop 180	3160	900	750	680
Extended tabletop 225	3610	900	750	680
Extended tabletop 270	4060	900	750	680

BOX 17: TABLETOP

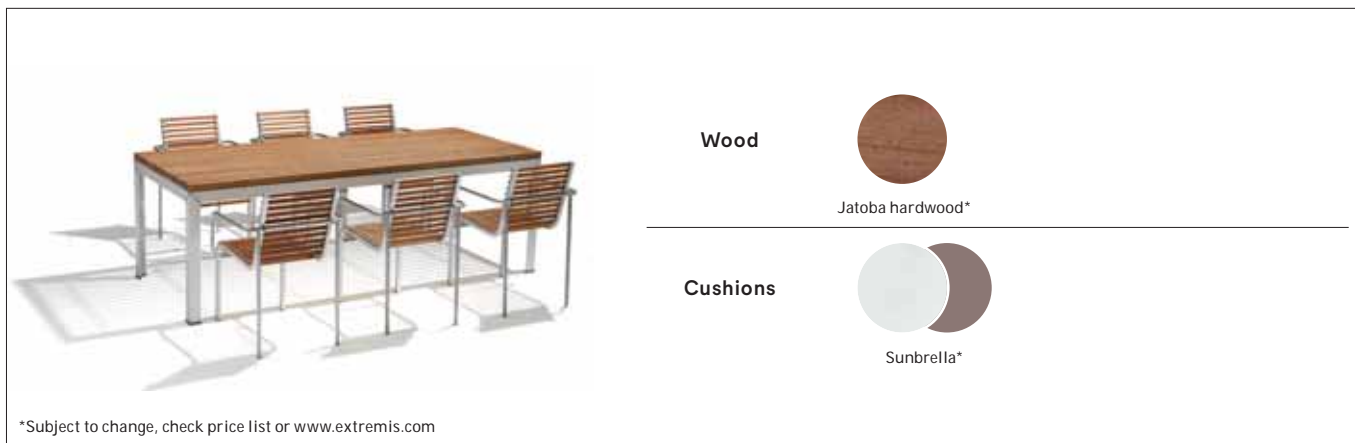


BOX 18: EXTENDED TABLETOP



Box dimensions (mm)		L	W	H	Qty (#)	Volume (m ³)	Gross weight (kg)	Net weight (kg)	Packaging weight (kg)
Extended tabletop 180	Box 17	1830	940	135	1	0,23	75,64	69,94	5,70
	Box 18	1380	940	135	1	0,23	39,00	36,95	2,05
	total:					0,46	114,64	106,89	7,75
Extended tabletop 225	Box 17	2280	940	135	1	0,29	94,41	87,32	7,09
	Box 18	1380	940	135	1	0,23	39,00	36,95	2,05
	total:					0,52	133,41	124,27	9,14
Extended tabletop 270	Box 17	2730	940	135	1	0,35	105,51	98,42	7,09
	Box 18	1380	940	135	1	0,23	39,00	36,95	2,05
	total:					0,58	144,51	135,37	9,14

Materials & colours



Materials	Key facts	Thickness mm	Layer thickness micron	Density	In/outdoor	Water	UV colour fastness	Flame retarding
Jatoba hardwood	<ul style="list-style-type: none"> • Durability CLASS 1 • Exceptional quality • Characteristics: durability & stability • Bleeds when wood is exposed to rain for the first few times • The dye is water-soluble • Feels comfortable in all weather conditions 	18 - 35	n.a.	850 kg/m ³	Outdoor & indoor	n.a.	Untreated wood turns grey after a while	/
Anodised aluminium frame & legs (chairs, benches & tables)	<ul style="list-style-type: none"> • A process aimed at thickening the existing aluminium oxide layer • Thickest layer of protection 	3 - 10	50 - 100	2,70 10 ³ kg/m ³	Outdoor & indoor	n.a.	Very good	NEN-EN 13501-1 A1*
Stainless steel legs AISI 316 (chairs)	<ul style="list-style-type: none"> • Highest stainless steel quality available (AISI 316) • High rust resistance • Periodical maintenance required 	2 - 8	n.a.	8,00 10 ³ kg/m ³	Outdoor & indoor	n.a.	Very good	NEN-EN 13501-1 A1*
Sunbrella cushions	<ul style="list-style-type: none"> • 100% Sunbrella Acrylic • Best outdoor fabric available for making cushions • Dirt repellent • Not waterproof, store inside! • Machine washable at max. 30°C. Ironing restores the protective layer 	0,50	n.a.	260 g/m ²	Outdoor & indoor	The fabric has a water column of 35mbar (EN 20811)	7/8 (ISO 105-B02)	/

* NEN-EN13501-1 A1

Class A1 products will not contribute to fire in any stage, including fully developed fire. For this reason, they are assumed to be capable of satisfying all requirements of all lower classes as well

Applications

Residential: Extempore is a complete range for the garden
Project: hotel and catering industry, company terraces, public spaces, ...

F.a.q.

Q: Do you need to oil the wood?

A: Just like other types of wood, Iroko will gradually become rougher and start to turn grey as a consequence of exposure to the sun and rain. Small cracks and crevices can also appear as part of this process. We strongly advise everyone to treat the furniture with our Wood Protector. This 100% natural oil controls the moisture level within the wood, which makes the planks stay stable for longer, and the layer of oil also helps to prevent spilled liquids from being absorbed, so that stains tend to stay superficial. It is best to repeat this treatment at regular intervals.

Floor fastening

Extempore comes with an optional floor anchoring set.

Good to know

- The wood bleeds when it is exposed to rain for the first few times.
- There are cushions available for all chairs and benches.
- There are optional wheels available for all tables.

Maintenance

Find maintenance instructions at the downloads section of extremis.com for:

WOOD

- Cleaning regularly with mild detergent
- Thorough cleaning with Extremis Wood Cleaner
- Oiling the wood with Extremis Wood Protector. We recommend oiling the wood once or twice a year. 1x before the summer and 1x after the summer as protection for the winter.
- In order to smoothen the surface again after a thorough cleaning, lightly sand your wood with 80 grit sanding paper or a sanding pad.

STAINLESS STEEL

- Clean regularly with a dry cloth and some stainless steel cleaner.

Website

www.extremis.com/extempore